



Photo above for illustration purposes only

GENERAL

Prime Power	kW/kVA	13.0	15.0
Countinuous	kW/kVA	9.0	11.3
Stand by	kW/kVA	15	16.5
Frequency	Hz/rpm	60	1800
Voltage	V	208	120
Current	A		42
Connection	/		3P 4W Series
Rated Power Factor	/		0.8pf
Open Type (LxWxH)	mm		1300x800x11
Open Type(Weight)	kg		90 410
Silent Type (LxWxH)	mm		2000x950x120
Silent Type(Weight)	kg		0 730

- Available in the following voltages 120/208, 277/480, 120/240(both single and three phase)
- All data based on ISO 3046, altitude 1000m (361ft), barometric pressure 100kPa (29.53inHg), air temperature 25 °C(77° F), relative humidity 30%.
- Please contact UQ-Power for correct generator capacity selection when the load application can't meet with the standard reference.
- UQ-Power diesel generators comply with standards ISO8528, ISO 14000, ISO3046, GB755, BS5000, VDE0530, ISO3046, IEC34-1

Standard Unit Configuration

Engine	Brand new Kubota Diesel Engine, to include air filter, fuel filters, oil filter, starting motor and charging
Alternator	Alternator YANAN SLG brushless AC alternator with Yanan YA460F or YA440
Radiator	50°C, fan with protective shroud
Base frame	Base mounted fuel tank, fuel meter, rubber anti-vibration pads, battery holder ≥500KW: channel steel base frame
Circuit Breaker Engine	Molded case circuit breaker (MCCB) ABB-UL listed
Control System Start	DEEP SEA 6020
Battery	Lead-acid battery, connection cables.
Exhaust System	Flex exhaust, Elbow and flange, Exhaust silencer, etc.
Documents	UQ-Power standard, Mechanical drawing, electric drawing, operation & maintenance manual, certification etc.

Optional available Equipment

Engine accessories	◇ Heavy-duty air filter ◇ Coolant heater ◇ Lub oil heater ◇ Fuel and Water Separator
Cooling system	◇ 50°C radiator ◇ Heat exchanger + water cooling tower + External water circulation pumping system ◇ Remote horizontal water tank system
Control System	◇ Other (Comap controls inc)
Circuit Breaker	◇ 2, 3 and 4 pole, thermo-magnetic
Automatic Transfer Switch	◇ ATS- available in Nema 1 and 3R, 2 and 3 pole
Optional Fuel Tank	◇ Single wall and double wall tank available in 8, 12, and 24 hour sizes

ENGINE DATA

Model	V1505-M-BG	Engine power	20	hp
Aspiration Type	Naturally Aspirated Vertical	Displacement	1498	L
No. of Cylinders	in line 4	BorexStroke	78x78	mm
Governor Type	Mechanical Governor	Compression Ratio	23:1	
		Rated Speed	1800	RPM

■ Fuel System

Prime power Fuel consumption	4.7	l/h No.2-	Standby power Fuel consumption	5.1	l/h
Fuel #	D(ASTM D975)		Injection System	Bosch Type	

■ Lubrication System

Lub Oil Capacity	6	L	Lub Oil Consumption	NA	l/h
Lub #	CF		Max. Temperature	121	°C

■ Coolant System

Coolant Capacity	15	L	Max. Top Tank Temp.	110	°C
Std. Thermostat (Modulating) Range	71	°C	Fan Drive Type	Shaft drive	

■ Air Intake System

Air intake capacity	1.29	m ³ /min	Air Pressure	≅ 1.96	kPa
---------------------	------	---------------------	--------------	--------	-----

■ Exhaust System

Exhaust Gas Flow	3.48	m ³ /min	Max. Back Pressure	7.07	kPa
------------------	------	---------------------	--------------------	------	-----

■ Starting System

Start Mode	Electric start	Battery	80	Ah
------------	----------------	---------	----	----

ALTERNATOR DATA

Alternator Model	Yanan SLG164C	Rate Power	14/17.5	kW/kVA
PF.	0.8	Voltage	208/120	V
Phase	3	Frequency	60	Hz
Connection	3P 4W, Y	Bearing	Single Bearing	
Winding Pitch	connection 2/3	Proteccion	IP21	
Insulation Class	H/H	Class	80.70%	
Tel. Influence	TIF: <50	Efficiency	±1.0%	
Harmonic	THF: <2%	Voltage	YN440	
Coefficient Voltage	≥±5%	Regulation AVR	Self-excited	
Adjust Scope		Excitation		

CONTROL SYSTEM DATA

MODEL DSE6020

■ Control Panel features

Electronic J1939 (CAN) and Modbus capable. MPU and alternator sensing engine support for diesel, and gas engines all in one controller. With a large number of flexible inputs, outputs and protection circuits.

The modules can be easily adapted to suit a wide range of applications.



■ Key Functions

- ▲ utility voltage sensing
- ▲ Generator/load power monitoring (kW, kV A, kV Ar, pf)
- ▲ Generator overload protection (kW) alarms
- ▲ Efficient power save mode
- ▲ mains and generator closed via front panel
- ▲ 4 configurable DC outputs
- ▲ 4 configurable analog./digital inputs & stopping
- ▲ 6 configurable digital inputs
- ▲ Support for 0-10 V & 4-20 mA oil pressure sensors
- ▲ Configurable staged loading
- ▲ CAN, MPU and alternator speed sensing in one variant
- ▲ 3 engine maintenance
- ▲ engine speed protection
- ▲ Engine pre-heat
- ▲ Multiple date and time scheduler
- ▲ Engine idle control for starting
- ▲ Fuel pump control
- ▲ Battery voltage monitoring
- ▲ Start on low battery voltage output
- ▲ Configurable remote start input
- ▲ alternative configuration
- ▲ alarm including common alarm, common electric and common shutdown
- ▲ LCD and LED alarm indication
- ▲ Configurable event log (50)
- ▲ Heated display option available

☆ *For more information, please visit the [Deep Sea Controls website](http://www.deepseacontrols.com)*

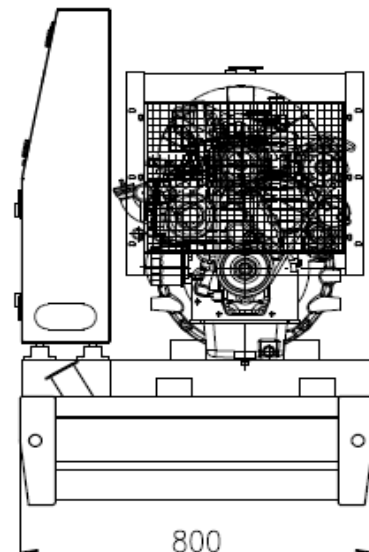
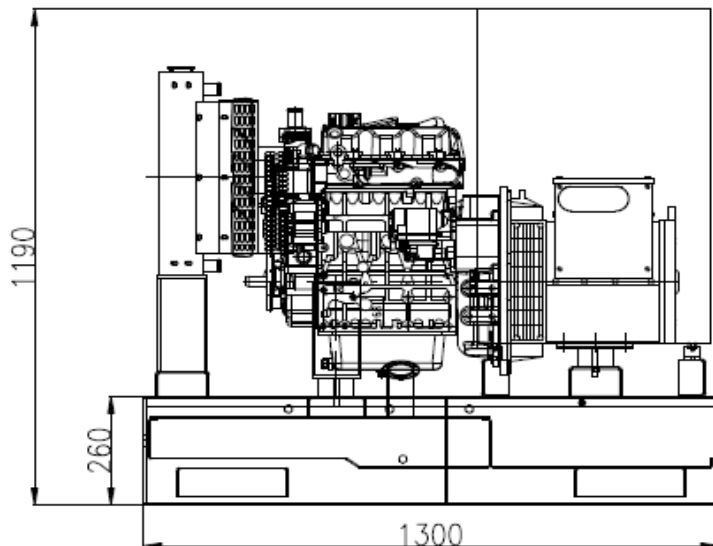
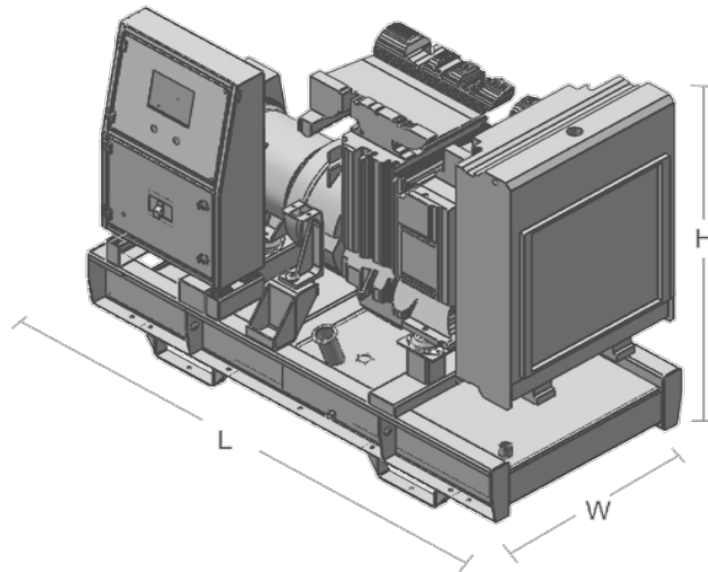
WARRANTY POLICY

1. Standard warranty for one year or 1000 hours (whichever comes first) from sales date.

Refer to

《UQ-Power Diesel Generator Warranty Manual》 for more details.

2. Maintenance parts(filters, belts,hoses, batteries),improper operation and maintenance failures are excluded from the warranty policy



www.uq-power.com

UQ-POWER
Energy Equipment

(800) 760-9598
(209) 227-6585 Fax
P.O. Box 32230
Stockton, CA 95213